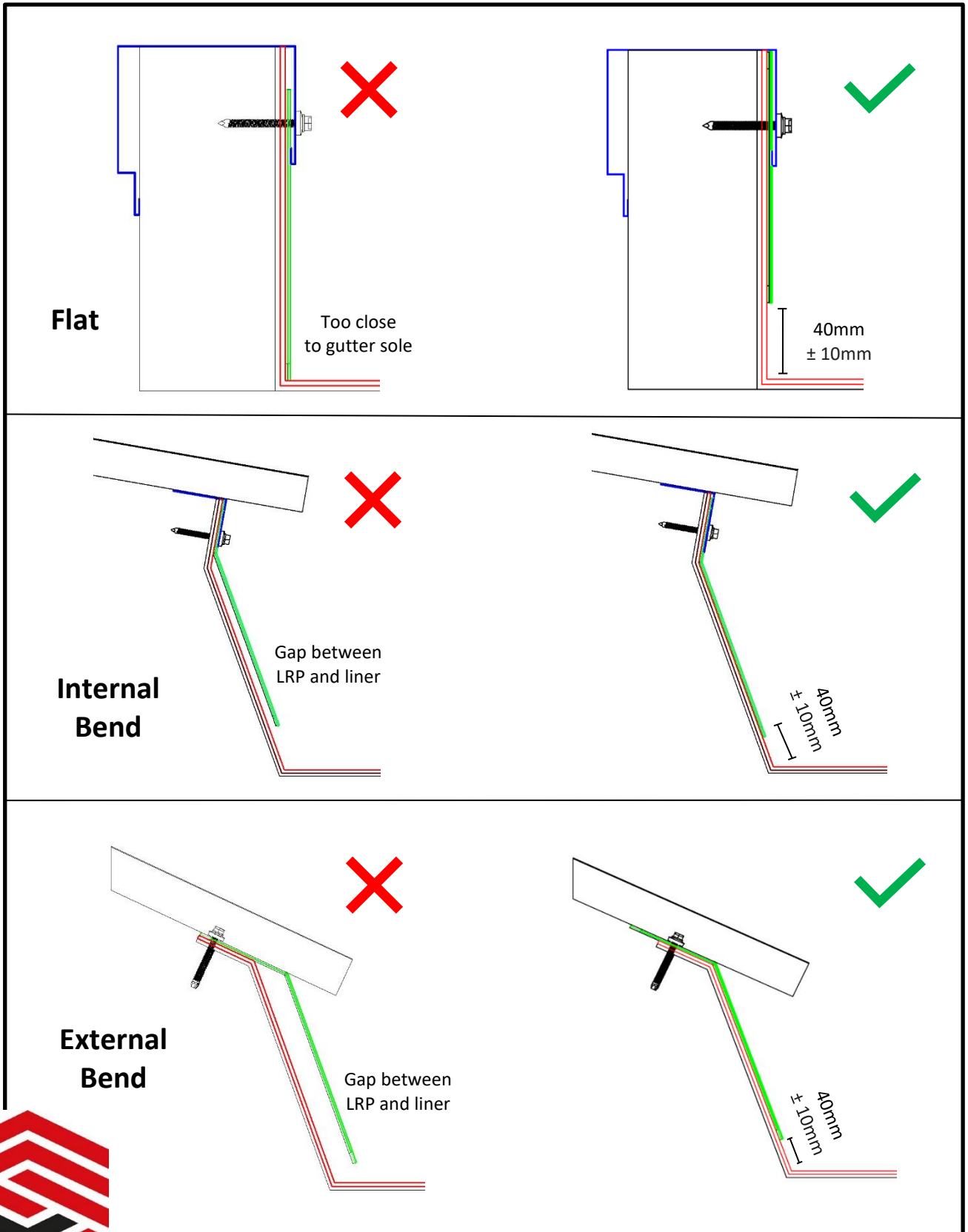


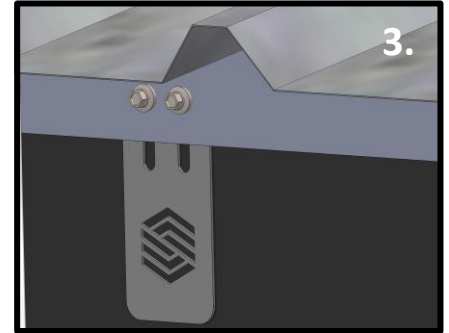
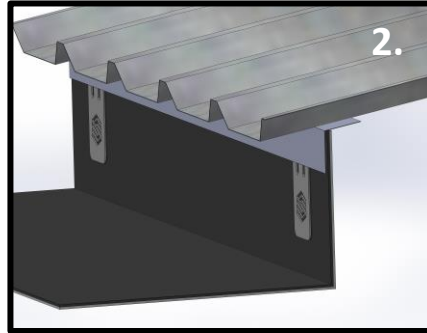
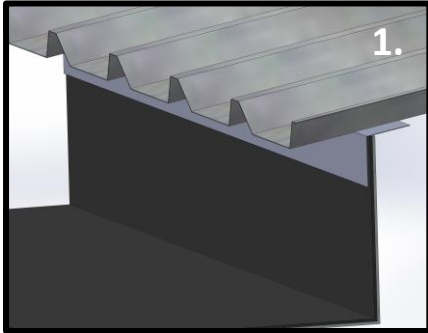
LRP Installation Instructions



Flat

Fit the liner as per specification ensuring that the crease lines are pushed firmly into the original profile of the gutter.

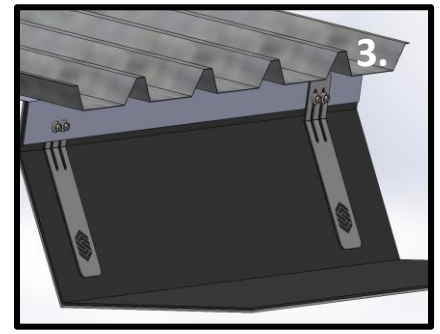
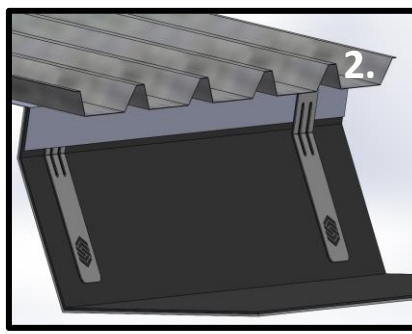
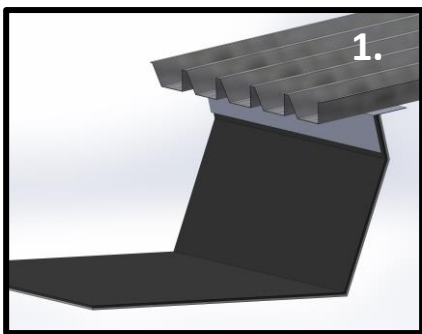
Fix any flashings as required, ensuring that they overlap by 150mm.



Internal Bend

Fit the liner as per specification ensuring that the crease lines are pushed firmly into the original profile of the gutter.

Fix any flashings as required, ensuring that they overlap by 150mm.



External Bend

Fit the liner as per specification ensuring that the crease lines are pushed firmly into the original profile of the gutter.

Push the LRP's up underneath the roof sheets. Ensure the bend in the LRP sits flush with the gutter profile.

When LRP's are pushed up underneath the roofsheet, single fix the LRP at the highest point possible.

